

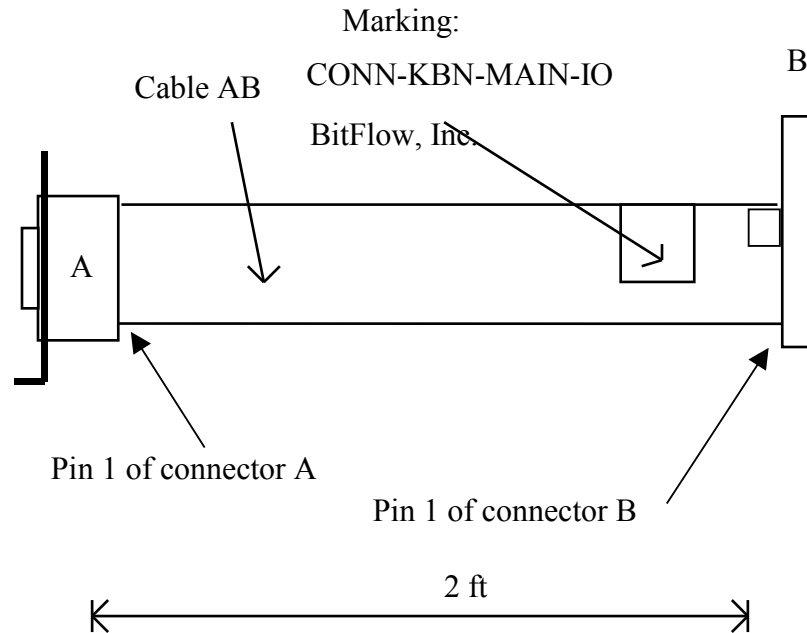
# *BitFlow, Inc.*

## Cable for Karbon Main IO Signals

Part Number CONN-KBN-MAIN-IO

Rev. A

December 12, 2006



**Connector B** is a 60 pin, two row press fit female connector. Connector B should have **only one center key**. Do not install strain relief. Cable should exit connector on side of the center key.

**Connector A** is a 37 pin two row D-sub female connector with bracket Gompf 9047-0018.

Cable AB is a 36 conductor flat cable. Pin 1 of connector A connects to pin 1 of connector B.

Two inches from connector B, put a marking with a transparent sleeve over it. The marking should be:

**BitFlow, Inc.**  
**CONN-KBN-MAIN-IO**

Connector B	Connector A	Signal Name
1	1	TRIGGER+
2	20	TRIGGER-
3	2	TRIGGER_TTL
4	21	TRIGGER_OPTO_K
5	3	TRIGGER_OPTO_A
6	22	GND
7	4	ENCODER+
8	23	ENCODER-
9	5	ENCODER_TTL
10	24	ENCODER_OPTO_K
11	6	ENCODER_OPTO_A
12	25	GND
13	7	GPIN0_TTL
14	26	GPIN1_TTL
15	8	GPIN2+
16	27	GPIN2-
17	9	GPIN3+
18	28	GPIN3-
19	10	GPIN4+
20	29	GPIN4-
21	11	GND
22	30	GPOUT0+
23	12	GPOUT0-
24	31	GPOUT1+
25	13	GPOUT1-
26	32	GPOUT2+
27	14	GPOUT2-
28	33	GPOUT3_TTL
29	15	GND
30	34	GPOUT4_TTL
31	16	GPOUT5_OC
32	35	GPOUT5_VCC
33	17	GPOUT6_OC
34	36	GPOUT6_VCC
35	18	GND
36	37	GND