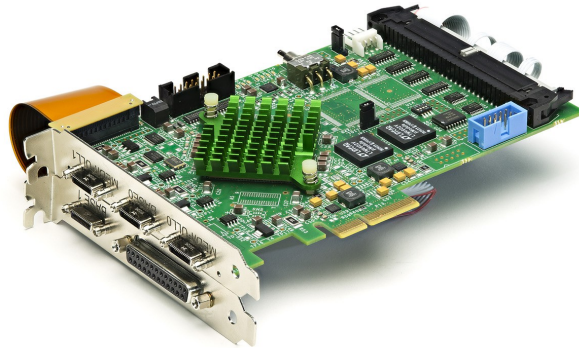
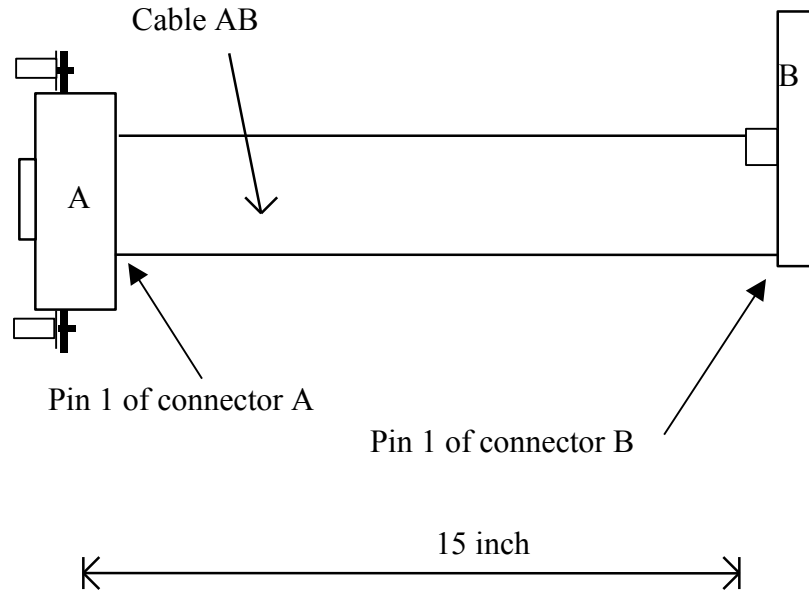


Axion 2xE-SIO

The Axion 2xE-SIO is designed to take advantage of using a second encoder for this two camera frame grabber.



This document contains pin out information to connect your encoder(s) to the frame grabber.



Connector A is a 25 pin two row D-sub female connector. It should have female hex screws on the side with nuts and split washers so that it can be installed on a bracket.

Connector B is a 60 pin, two row press fit female connector to mate with a TE 1-5499913-1. Connector B should have only one center key. Do not install strain relief. Cable should exit connector on side of the center key.

Cable AB is a 25 conductor flat cable. Pin 1 of connector A connects to pin 1 of connector B. The flat cable has four sections that connect at different locations on connector B. The four sections have a total of 25 wires.

Pin outs

A	B	comments
1	1	VFG0_TRIGGER+
14	2	VFG0_TRIGGER-
2	3	VFG0_ENCODERA +
15	4	VFG0_ENCODERA-
3	5	VFG0_ENCODERB+
16	6	VFG0_ENCODERB-
4	7	VFG1_TRIGGER+
17	8	VFG1_TRIGGER-
5	9	VFG1_ENCODERA +
18	10	VFG1_ENCODERA-
6	11	VFG1_ENCODERB+
19	12	VFG1_ENCODERB-
.....		
7	25	GND
20	26	VFG0_CC3+
8	27	VFG0_CC3-
.....		
21	34	GND
9	35	VFG0_TRIGGER_TTL
22	36	VFG0_ENCODERA_TTL
10	37	VFG0_ENCODERB_TTL
23	38	VFG1_TRIGGER_TTL
11	39	VFG1_ENCODERA_TTL
24	40	VFG1_ENCODERB_TTL
.....		
12	48	VFG0_CC3_TTL
25	49	VFG0_CC4_TTL
13	50	VFG0_CC2_TTL